

## Point sensors



Arc-teq has developed different types of arc sensors to be used with different AQ-100 series units and different switchgear types according to the specific application requirements. The available sensor types are arc light point sensors and arc light fiber optic loop sensors.

There are two types of point sensors: AQ-01 is a light point sensor, while AQ-02 is a light and pressure point sensor.

Both types come with three options for their light intensity thresholds:

- 8,000 lx (ordering code: A)
- 25,000 lx (ordering code: B)
- 50,000 lx (ordering code: C)

## Technical Data

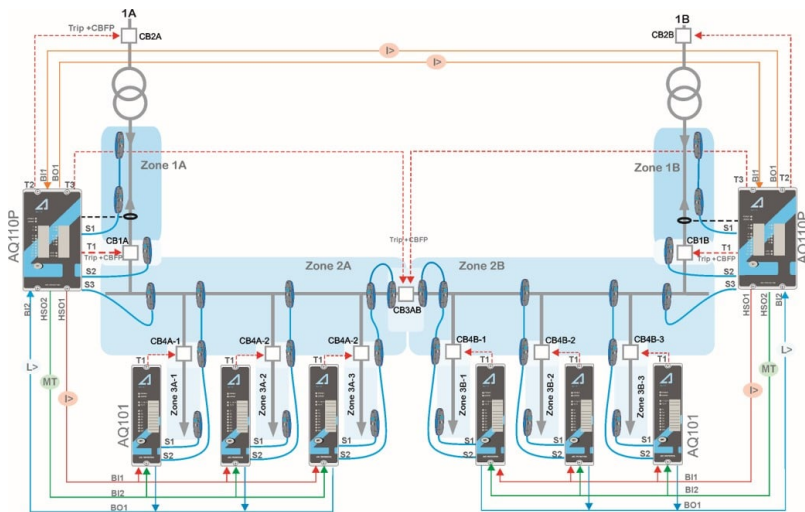
### AQ-01

Light intensity threshold: 8 000...50 000 lx  
Pick-up time: <1 ms  
Detection radius: 180 degrees  
Mechanical protection (the whole sensor): IP 20  
Mechanical protection (the active light detection part): IP 60  
Wiring arrangement: standard shielded twisted pair 0.75mm<sup>2</sup>  
Maximum wire length: 200 meters  
Operating temperature: -20...+85 °C  
A maximum of three sensors connected in series

### AQ-02

Light intensity threshold: 8 000...50 000 lx  
Pressure threshold: 0.2 bar above ambient pressure  
Pick-up time: <1 ms  
Detection radius: 180 degrees  
Mechanical protection (the whole sensor): IP 20  
Mechanical protection (the active light detection part): IP 60  
Mechanical protection (the active pressure detection part): IP 40  
Wiring arrangement: standard shielded twisted pair 0.75mm<sup>2</sup>  
Maximum wire length: 200 meters  
Operating temperature: -20...+85 °C  
A maximum of three sensors connected in series

Application Drawing



Scheme Ila1.cdr